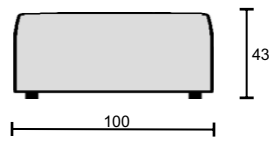
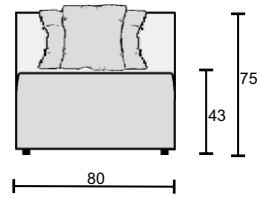


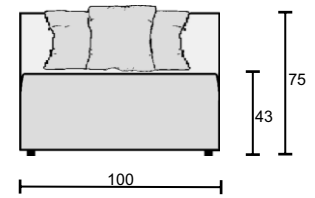
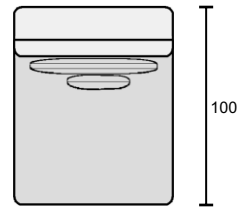
Arto



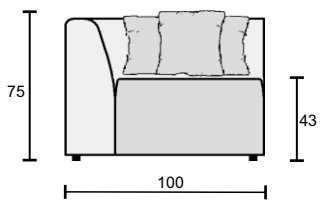
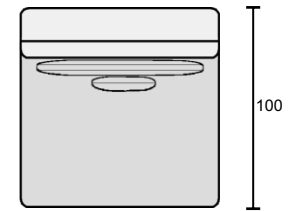
PC



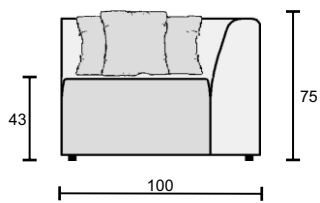
SS



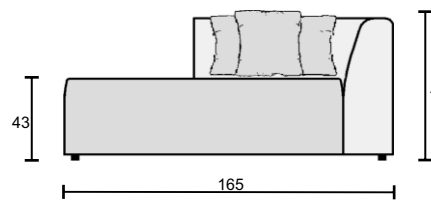
SM



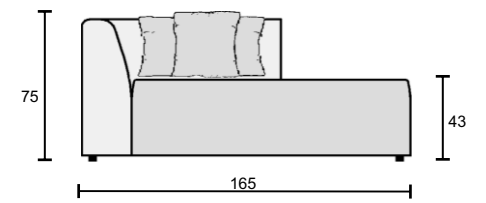
CL



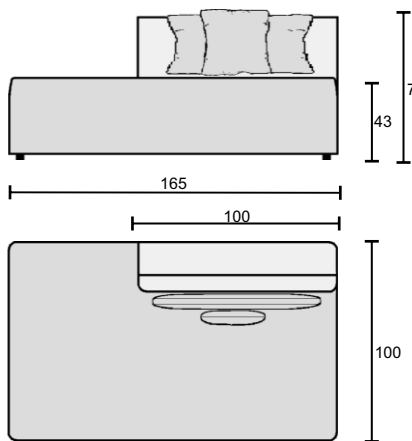
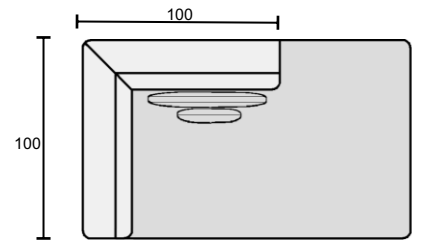
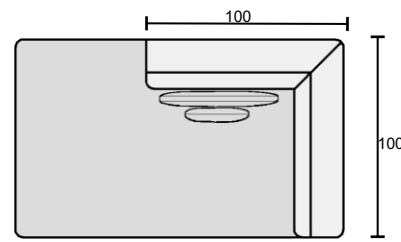
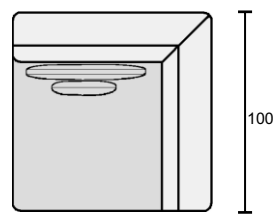
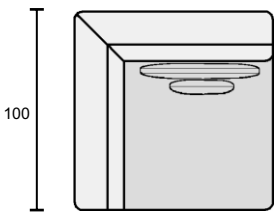
CR



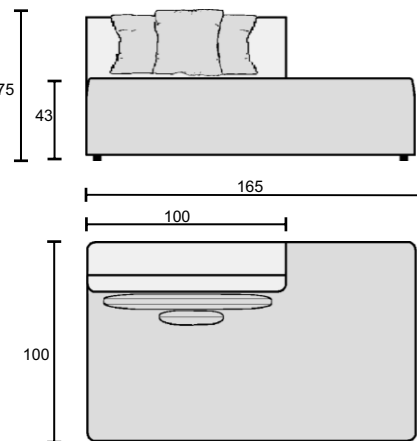
CHL



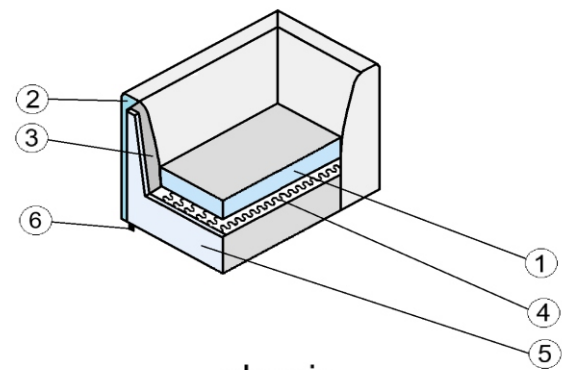
CHR



OTL



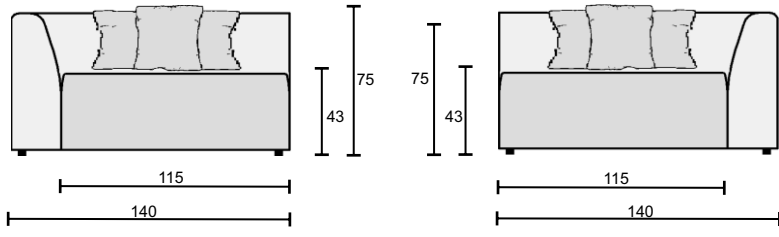
OTR



classic

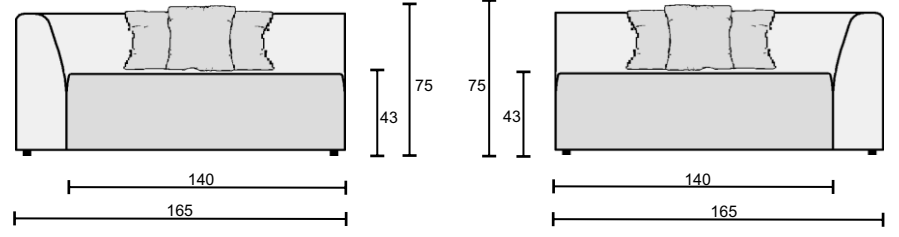
- 1.polyurethane foam HR35
- 2.polyurethane foam HR30
- 3.polyurethane foam HR28
- 4.springs
- 5.solid wood and wood based elements
- 6.PCV leg

Arto



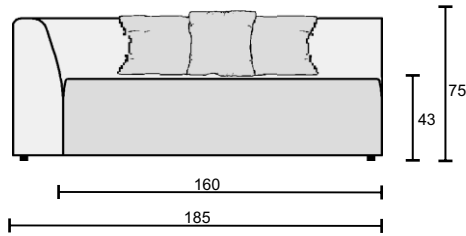
ASL

ASR

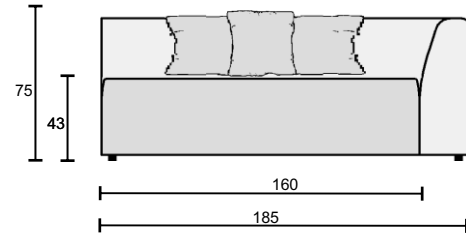


AML

AMR



ALL



ALR

